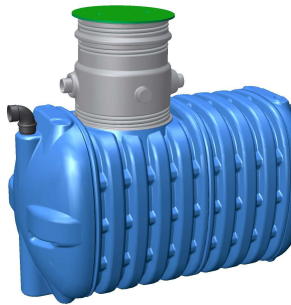
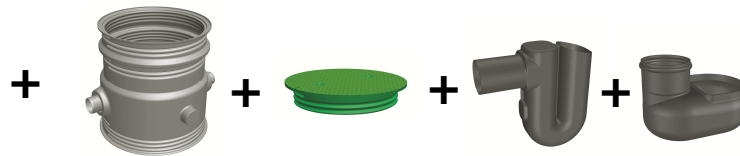


PE rainwater storage tank Aqua terne 122

Equipment:

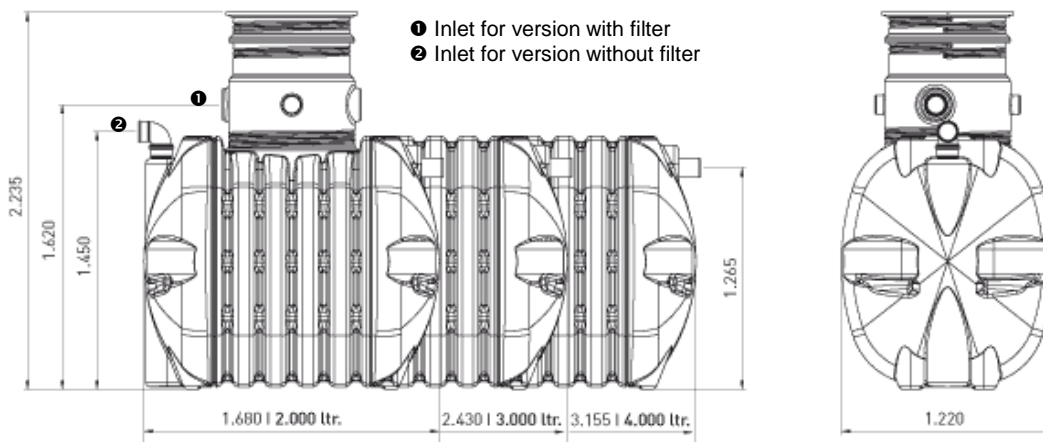


- With or without integrated filter (for roof areas up to 150m²)
- Turret, lid, overflow and calmed inlet included



Operation:

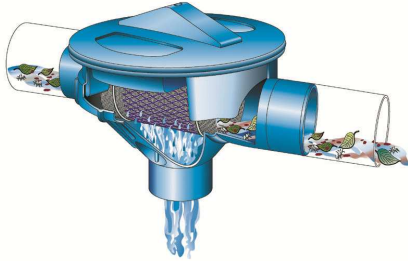
The tank is especially designed for storing rainwater and is equipped with everything that is necessary to achieve an excellent water quality and keep maintenance to a minimum. It is available in different sizes: 2 000l, 3 000l and 4 000l. Due to its small weight it is easy to install.



Item No	Volume [l]	Total height [mm]	Height of tank [mm]	Total length [mm]	Total width [mm]	Weight [kg]
G 12012	2,000	2235	1450	1680	1220	95
G 12013	3,000	2235	1450	2430	1220	135
G 12014	4,000	2235	1450	3155	1220	169

Tab: available tank sizes with integrated filter; all sizes also available without filter (different item No).

The rainwater storage tank has an integrated 4 step filtration system. That way you get an excellent water quality and the tank may have to be cleaned once every 10 – 15 years.

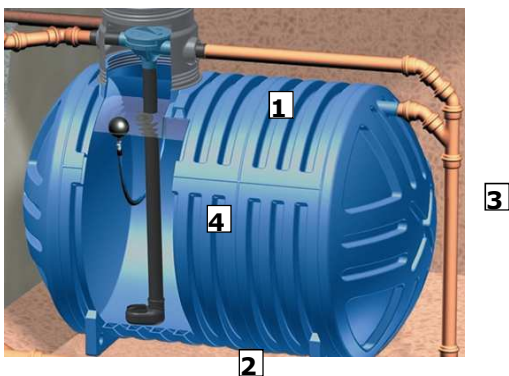


The **fine filter (accessory)** avoids dirt-particles from entering the tank. The filter is self-cleaning and can be easily taken out for maintenance. (1)

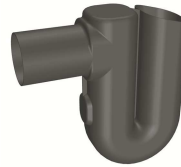


Calmed inlet

Very fine dust-particles are sinking down to the bottom of the tank. The design of the inlet avoids swirling up particles. (2)



Overflow siphon



Very light fine particles build a swimming layer. This layer is automatically taken away each time the tank overflows. In case of a connection to a combined sewer the siphon avoids the entering of rodents and odour. (3)



Floating extraction (accessory)

The floating extraction allows the pump to suck the water just under the water surface where it is cleanest. An additional fine filter will protect the suction pump. (4)